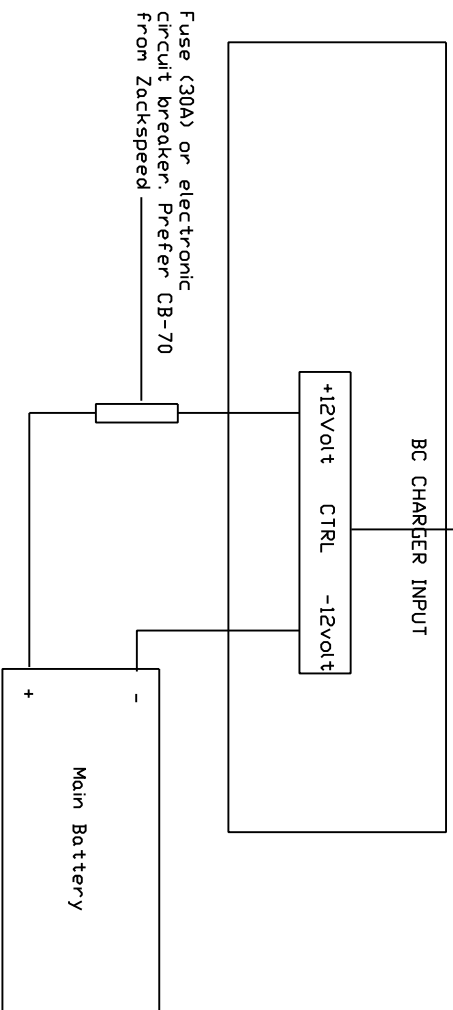


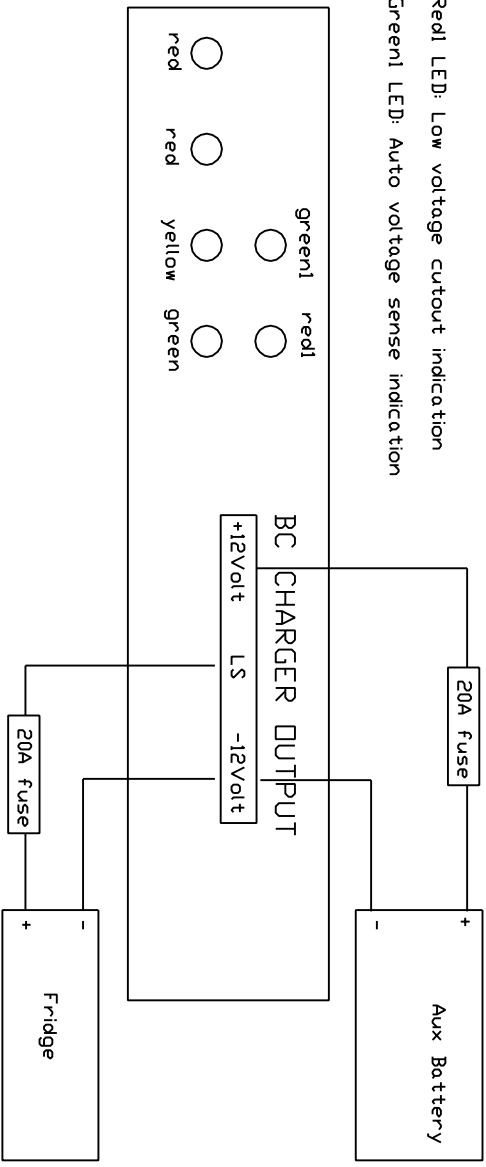
Only for units without auto volt sense. This connection should be live (12V+) only when the ignition is turned!



The auto volt sense option negates the need for a connection to be made to the CTRL terminal

Red LED: Low voltage cutout indication

Green LED: Auto voltage sense indication



Green LED turns on at >13.3Volts

Red LED turns on at <10.6Volts

Appendix