

INNER SHAFT, HOUSING TUBE

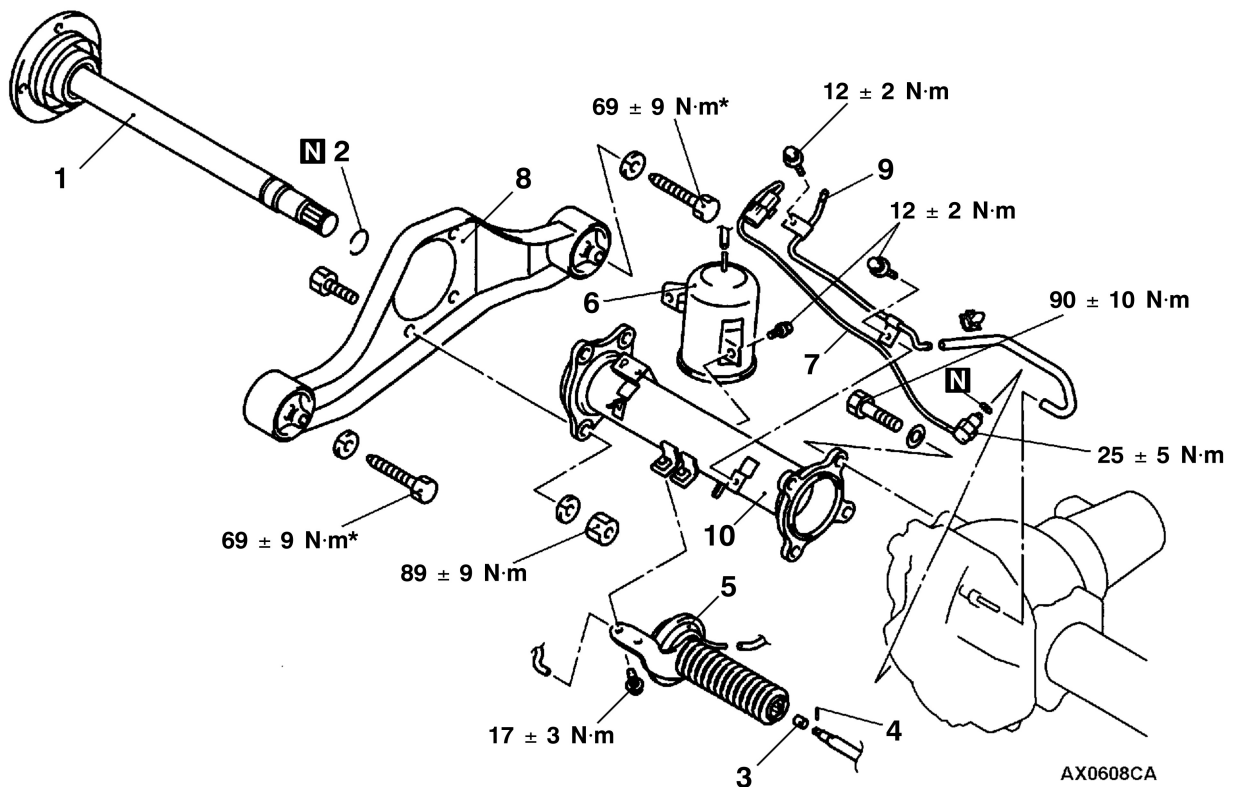
REMOVAL AND INSTALLATION

Caution

*: Indicates parts which should be temporarily tightened, and then fully tightened with the vehicle on the ground in the unladen condition.

Pre-removal and Post-installation Operation

- Under Cover and Skid Plate Removal and Installation
- Drive Shaft <R.H.> Removal and Installation (Refer to P.26-16.)



Removal steps

◀A▶ ▶B▶

1. Inner shaft
2. Clip
3. Collar
4. Pin
5. Actuator assembly
6. Vacuum tank assembly
7. Engage switch assembly

◀B▶ ▶A▶

- Loosening and tightening of differential mounting insulator bolt
- Support the differential by a transmission jack.
- 8. Differential mounting bracket <R.H.>
- 9. Breather pipe
- 12. Housing tube