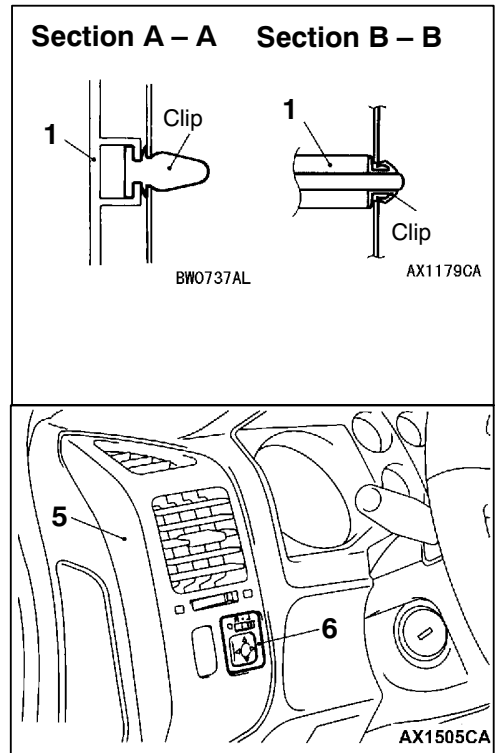
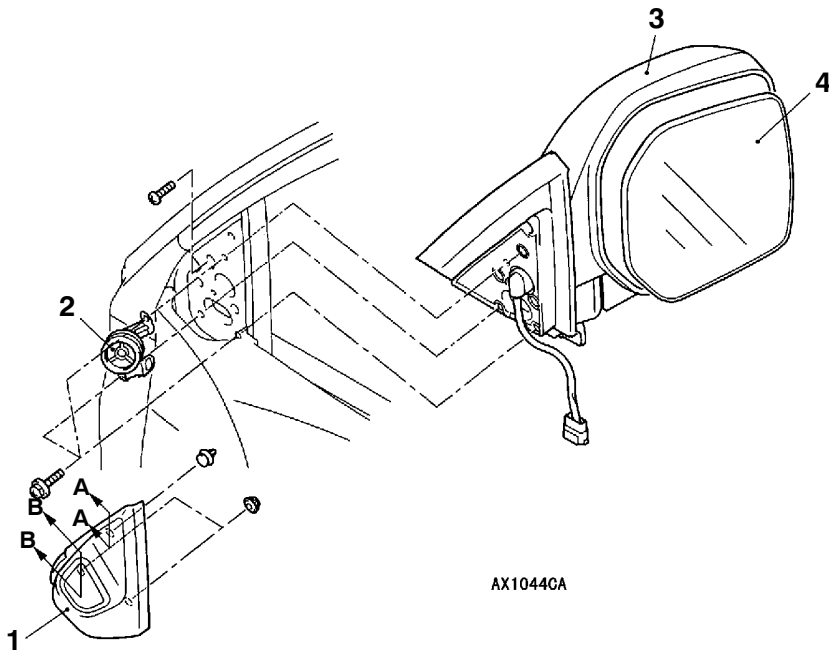


OUTSIDE DOOR MIRROR REMOVAL AND INSTALLATION



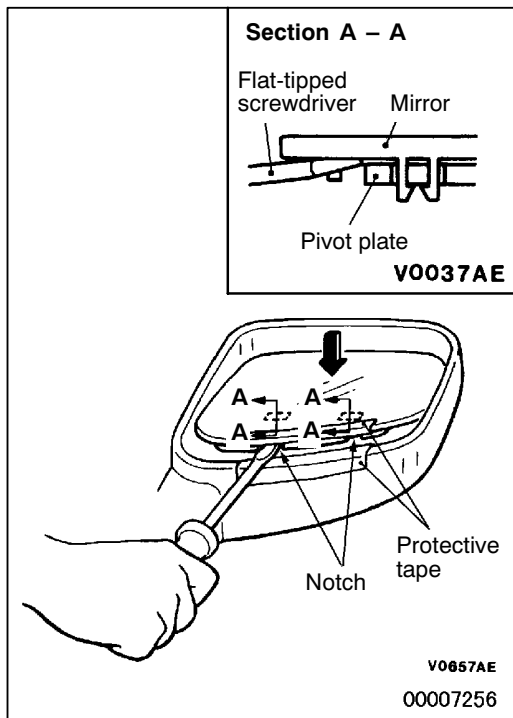
Door mirror removal steps

1. Delta inner cover
2. Tweeter assembly
3. Door mirror assembly
4. Mirror



Motor-driven remote controlled mirror switch removal steps

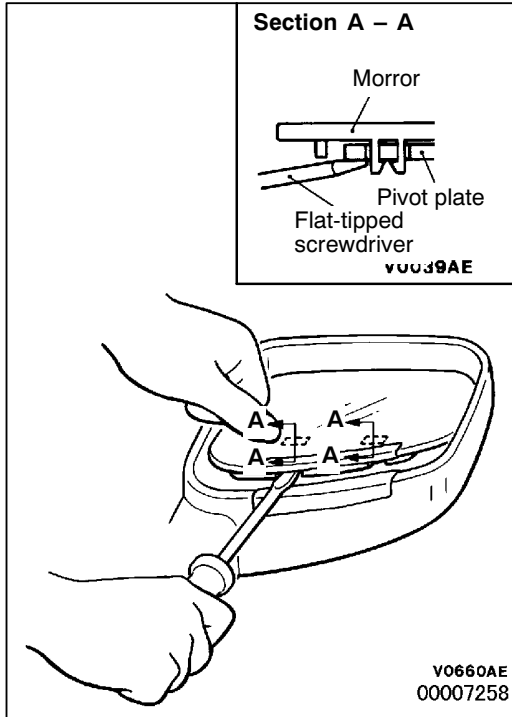
5. Air outlet assembly (Refer to GROUP 52A - Instrument Panel.)
6. Motor-driven remote controlled mirror switch



REMOVAL SERVICE POINT

◀▶ MIRROR REMOVAL

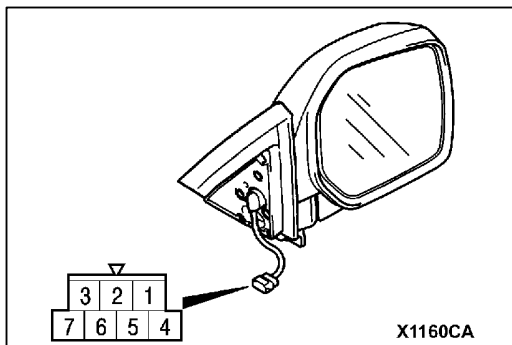
Push the top of the mirror with your hand to tilt it and attach the protective tape as shown in the illustration. Then insert a flat-tipped screwdriver in between the notch at the rear of the mirror and the pivot plate, and disengage the bottom of the mirror.



INSTALLATION SERVICE POINT

▶◀ MIRROR INSTALLATION

While supporting the clip position on the underside of the pivot plate with a flat-tipped screwdriver, press the clip at the front of the mirror to install the bottom of the mirror.



INSPECTION

MIRROR ASSEMBLY OPERATION CHECK

Battery connection terminal					Direction of operation
3	4	5	6	7	
	⊕		⊖		UP
	⊖		⊕		DOWN
		⊖	⊕		LEFT
		⊕	⊖		RIGHT
○				○	Vehicles with heater mirror